



HORIZONTAL BORING & MILLING MACHINE

AJHB 110-20T CNC



Machine Tool Exporters to the World since 1940

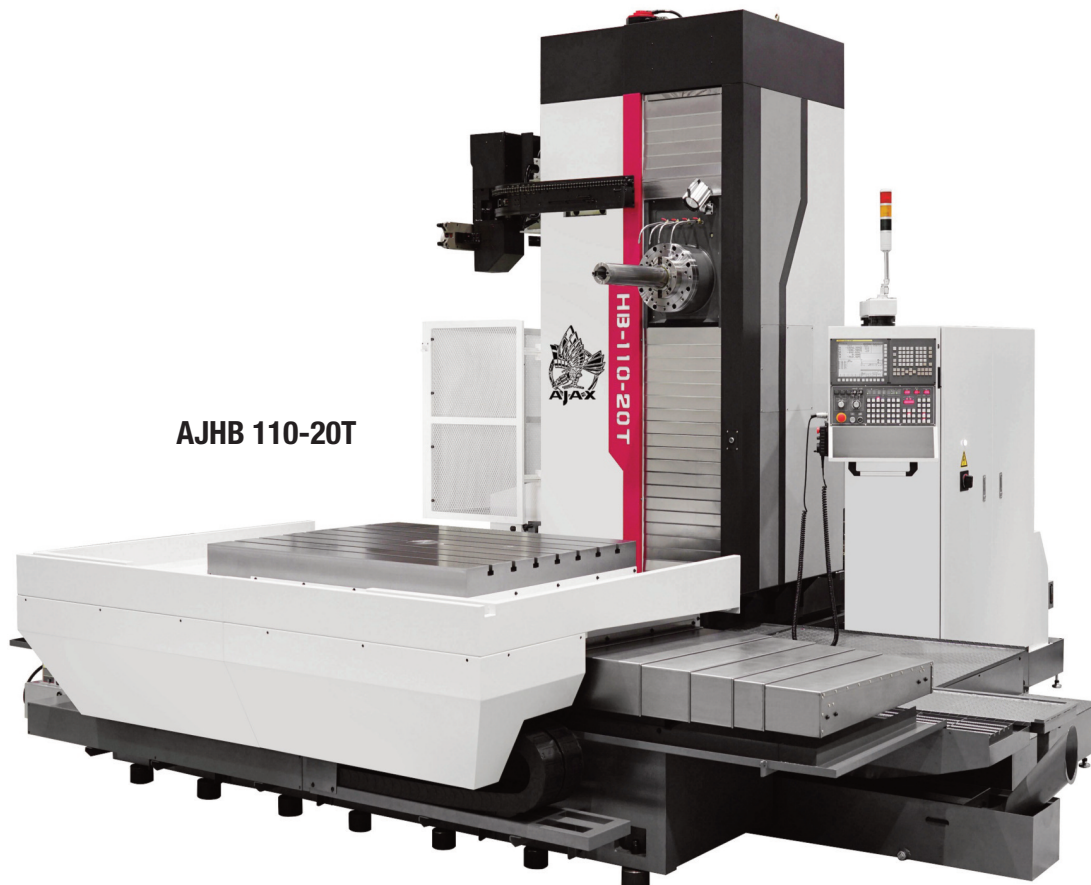
HORIZONTAL BORING & MILLING MACHINE

AJHB 110-20T CNC

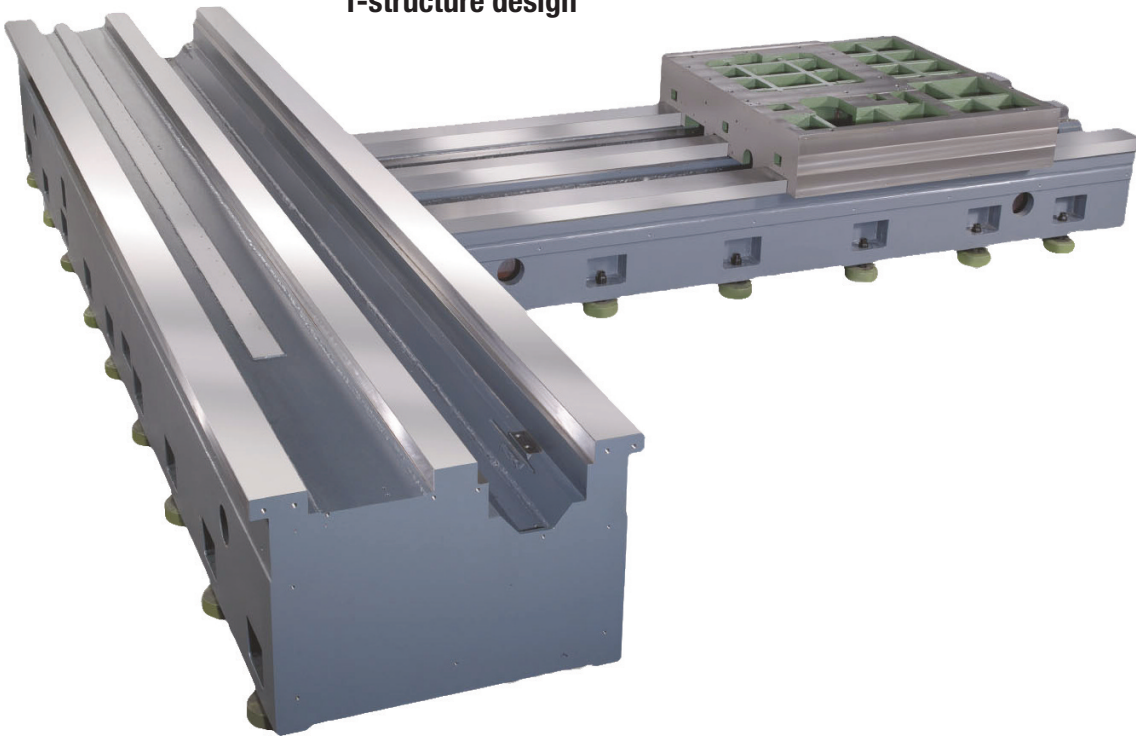
The Ajax 5 Axis CNC Horizontal Borer is an excellent package allowing milling & boring on 4 sides of the job in 1 setup speeding up production and giving more accuracy. Features include Fanuc Oi MD control with Manual guide i CNC rotary table with locking pin at 90 deg, linear scales to give very high precision, pendant control, telescopic slideway covers, automatic tool changer with 60 tools, automatic, high power spindle motor and heavy duty construction.

MACHINE STRUCTURE

- Column moving design with T-structure, offers high efficiency machining process.
- Rigid box-type column features outstanding stability in heavy duty machining.
- Hardened and precision grounded box way construction for X, Y and Z-axis.
- The X, Y, Z and W-axis installed with high precision linear scale and B-axis with angle encoder feedback for high accuracy.
- Absolute coordinate system, no need to return the axis to home position.
- Telescopic covers for the cross and longitudinal traverses.
- Quantitative automatic lubrication system features forced lubrication to all slideways, and self-detection function ensures long slideway life.



T-structure design



STANDARD ACCESSORIES

- Absolute linear scales on X, Y, Z and W-axis
- Absolute angle encoder on B-axis
- Spindle oil cooler
- Centralised auto lubrication system
- Programmable coolant system
- Programmable air blow
- Heat exchanger for cabinet
- Work lamp
- Screw type chip conveyor
- M30 automatic power off
- Portable MPG handwheel
- Alarm lamp
- RS-232 interface port
- Tool box with adjustment tools

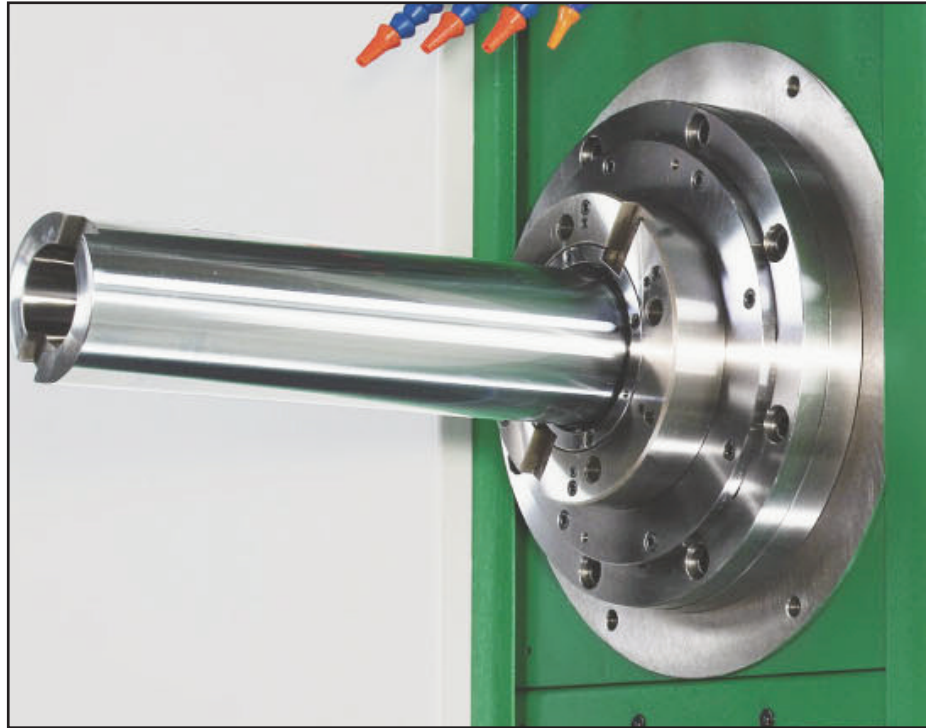
OPTIONAL ACCESSORIES

- Coolant through spindle
- Chain type chip conveyor with bucket
- Spindle extension sleeve
- Table splash guard cover

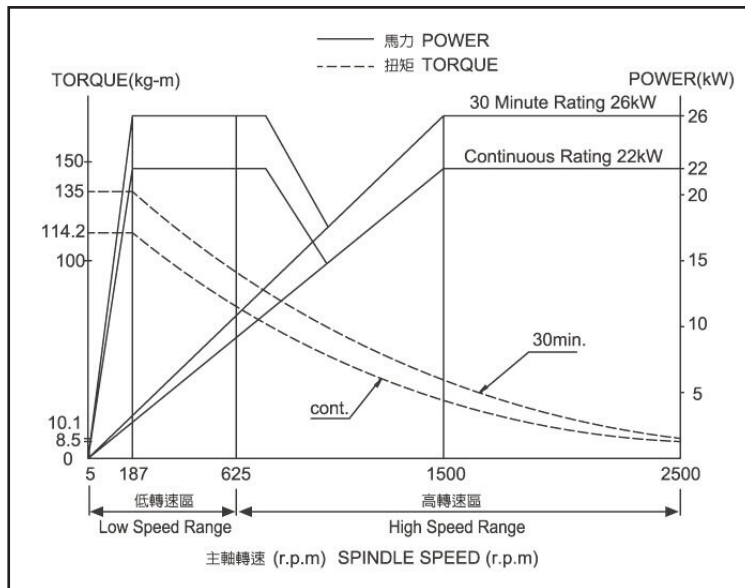
Control Panel

MODEL	AJHB 110-20T CNC
Spindle Dia(mm)	110
Spindle Taper	BT 50
Spindle Travel (mm)	550
Table Size (mm)	1500 x 1200
Cross Travel (mm)	2000 or 3000
Long Travel (mm)	1500
Vertical Travel (mm)	1500
Number of Speeds	2
Spindle Speeds (rpm)	5 - 2,500
Max Table Loading	5,000 kg
Main spindle motor	26 kW
Weight of machine	23,550 kgs

TECHNICAL SPECIFICATIONS



Main Spindle



Torque Chart

Ajax Machine Tools International Ltd
 Unit 360, Ampress Lane, Ampress Park,
 Lymington, Hampshire, UK SO41 8JX

Telephone: +44 (0)1590 676000 Fax: +44 (0)1590 676001
 sales@ajax-mach.co.uk www.ajax-mach.co.uk

