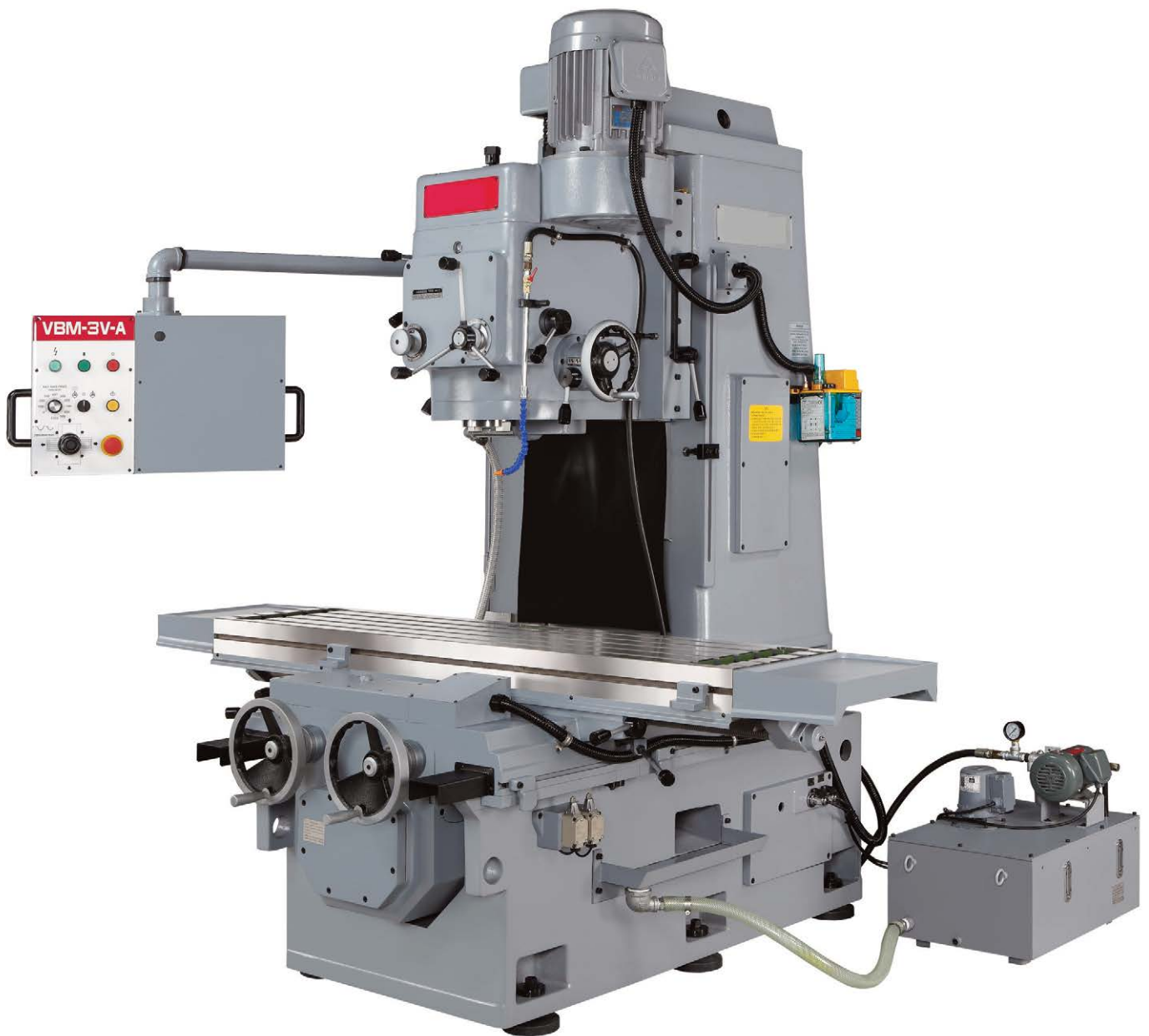




# VERTICAL MILLING MACHINES

AJVBM 3/4/5/8



Machine Tool Exporters to the World since 1940

# VERTICAL MILLING MACHINES

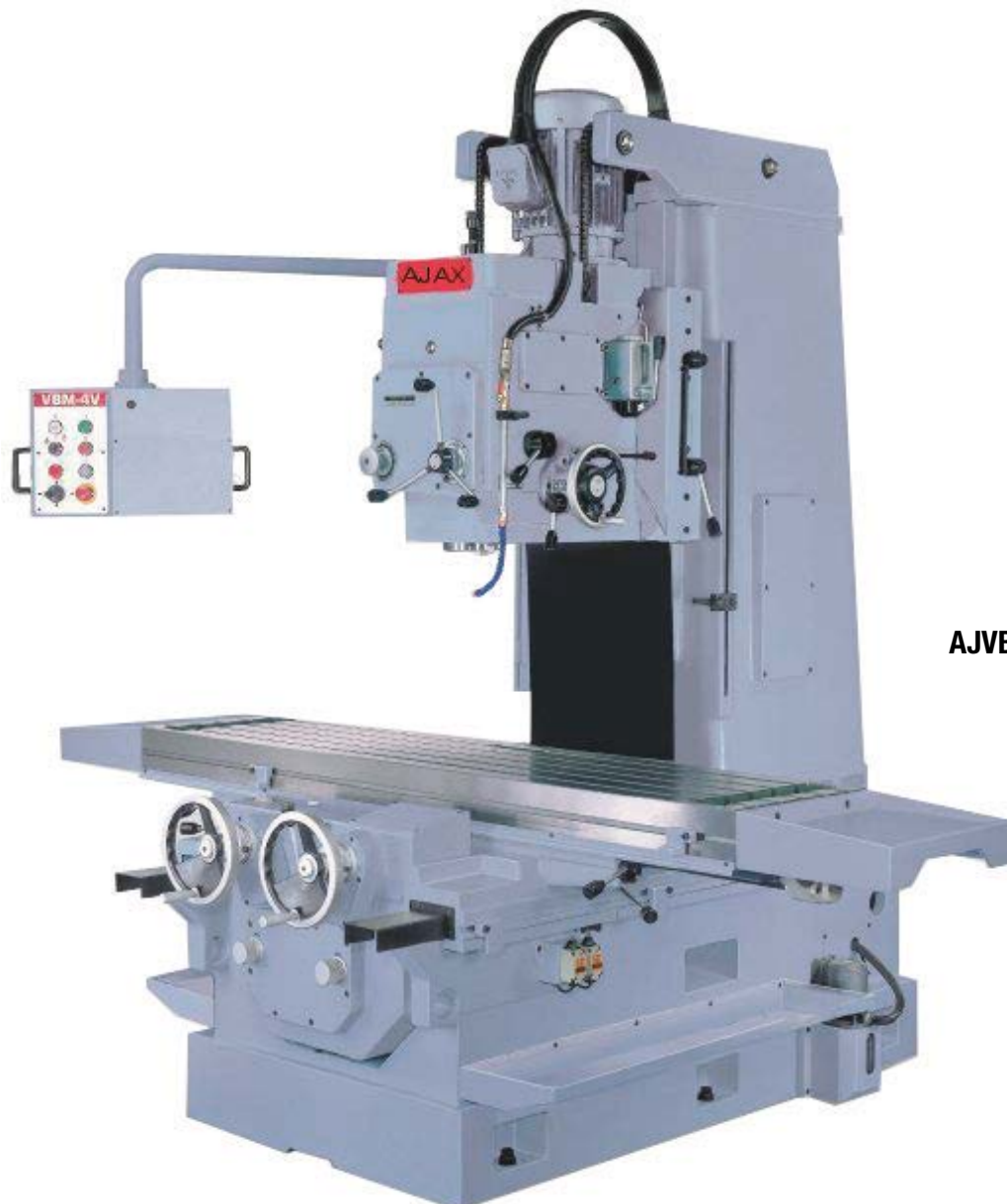
**AJVBM  
3/4/5/8**

The Ajax range of vertical milling machines are large heavy duty machines designed to handle large components with ease.

The machines are ergonomically designed, combining the latest design techniques with the highest standard of quality engineering, reliability in service, accuracy and rigidity of machine. The range includes fully mechanical gearboxes enabling the operator to machine a wider variety of more sophisticated materials.

## **Pendant Control**

A pendant control is supplied on all models allowing greater flexibility of operation to the user.



**AJVBM 4**

<b>MODEL</b>	<b>AJVBM 3</b>	<b>AJVBM 4</b>	<b>AJVBM 5</b>	<b>AJVBVM 8</b>
Working Surface (mm)	1,700 x 380	1,900 x 480	2,200 x 500	2,700 x 750
T-Slots, Number and Size	5 x 18mm	5 x 18mm	5 x 18mm	5 x 18mm
T-Slots Centres (mm)	70	80	90	150
Longitudinal Travel (mm)	1,000	1,200	1,500	2,000
Cross Travel (mm)	380	450	600	800
Vertical Travel (mm)	500	550	700	700
Distance from Spindle to Table (mm)	100 - 600	100 - 600	100 - 800	70 - 770

<b>SPINDLE</b>				
Spindle Taper	50 ISO	50 ISO	50 ISO	50 ISO
Number of Speeds	12	12	12	Variable
Speed Range (rpm)	45 - 1,500	45 - 1,500	45 - 1,500	45 - 1,500

<b>FEEDS</b>				
Number of Feeds	Variable	12	Variable	Variable
Longitudinal Feeds (mm/min)	20 - 1,000	28 - 875	0 - 1,000	0 - 1,000
Cross Feeds (mm/min)	20 - 1,000	28 - 875	0 - 1,000	0 - 1,000
Vertical Feeds (mm/min)	20 - 1,000	28 - 875	0 - 1,000	0 - 1,000
Rapids Longitudinal (mm/min)	2,880	2,880	3,300	3,300
Rapid Cross (mm/min)	2,880	2,880	3,300	3,300
Rapid Vertical (mm/min)	2,880	2,880	3,300	3,300

<b>MOTORS</b>				
Spindle Drive Motor (KW)	5.5	7.5	11	11
Feed Motor (KW)	1.3	1.5	1.5	3.5
Coolant Motor (KW)	0.1	0.15	0.15	0.15

<b>WEIGHT AND DIMENSIONS</b>				
Floor Space (mm)	3,200 x 1,960	3,800 x 2,340	4,440 x 2,550	3,710 x 3,145
Nett Weight (kg)	4,100	5,200	7,000	11,800

## TECHNICAL SPECIFICATIONS

### OPTIONAL EXTRAS

- Power draw bar
- 2 or 3 axis Acu-rite VUE or Newall digital read-out systems
- Clamping Kit
- Machine vices 100, 150 or 200mm
- Dividing head
- Collet holder with collets



**AJVBM 5**

Ajax Machine Tools International Ltd  
Unit 360, Ampress Lane, Ampress Park,  
Lymington, Hampshire, UK SO41 8JX

Telephone: +44 (0)1590 676000 Fax: +44 (0)1590 676001  
sales@ajax-mach.co.uk [www.ajax-mach.co.uk](http://www.ajax-mach.co.uk)

